

PS100E03 series 4-20mA ceramic pressure sensors

- High accuracy and high stability
- Wide choice of measuring ranges
- Solid ceramic sensitive diaphragm
- Smart volume, easy for encapsulation
- Excellent shock and vibration resistance
- Excellent corrosion and abrasion resistance
- Low cost, extreme extensive application range
- Thermally compensated, wide-range operating temperature



Descriptions

PS100E03 series are made with ceramic cell(Al_2O_3 96%) and work following the piezoresistive principle. The signal conditioning electronics are added on one side of ceramic diaphragm where the Wheatstone bridge is screen printed, offer 4-20mA current output signal(Customized is available).

PS100E03 series are fully temperature compensated and guarantees a residual temperature effect inside the compensation temperature range within 0.02%F.S./°C. This feature results in a very stable sensor under very harsh conditions. Thanks to the excellent chemical immunity of the ceramic material, the sensors are suitable for nearly all most media.

Parameters

Power supply	12~36VDC
Output signal	4~20mA (current loop)
Pressure range	0...1Bar to 400Bar
Temperature characteristic	$\pm 0.02\%$ F.S./°C (25°C~85°C)
Operating temperature	0~85°C
Material	Ceramic Al_2O_3 96%
Sensor type	Gauge
Technology	Piezoresistive
Weight	8g

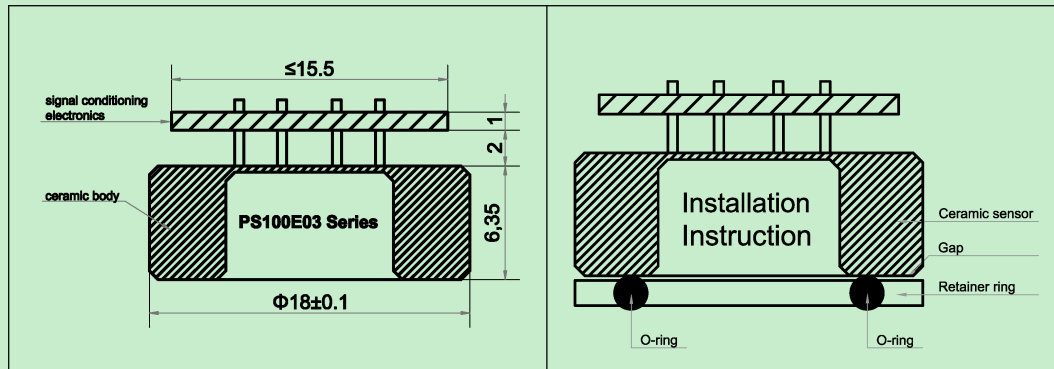
Typical pressure and accuracy (Bar)

Rated range	2	5	10	20	30	50	100	200	400
Over pressure	4	10	20	40	60	100	200	400	600
Burst pressure	7	15	35	70	90	150	250	450	600
Accuracy①	$\pm 1.5\%$ F.S.	$\pm 1.0\%$ F.S.						$\pm 1.5\%$ F.S.	

① Accuracy including linearity, hysteresis, repeatability @25°C

PS100E03 series 4-20mA ceramic pressure sensors

Dimensions



Electrical connections

	Pins	Wires	Function
	+	Red	Voltage +
	-	Black	Signal +

Ordering information

EXAMPLE: [PS100E03 C 01 A](#)

1	Pressure range	C
	A(1bar) B(2bar) C(5bar) D(10bar) E(20bar) F(30bar) G(50bar) H(100bar) I(200bar) J(400bar) K(Other range is on request)	
2	Output signal	01
	01 4-20mA 02 Other output is on request	
3	Electrical connection	A
	A 2Pins(7mm) B 2Wires(50mm)	

Contact us

Company	Ninghai sendo sensor co., Ltd	
Email	sales@sendo-sensor.com	
Email	cain.chen@sendo-sensor.com	
Address	Floor 5, building 2, no.48 jiujuan road, jianggan district, 310000 Hangzhou, China	
Website	http://www.pressuresensorsuppliers.com	http://www.sendo-sensor.com
Skype: sendosensor	We Chat: chenjie4884	WhatsApp: +8613616574884
Tel: 0086-0574-27725960	Fax: 0086-0574-27725970	Phone: 0086-13616574884

*Specifications subject to change without notice, the latest date sheet please contact: sales@sendo-sensor.com