

# SS205 series low cost pressure transmitters

- CE conformity
- Low cost and high quality
- Compact, rugged construction
- Stainless steel 316L diaphragm
- -40~105°C wider working temperature
- All stainless steel structure, no O-ring inside
- 0.5-4.5V, 0.5-5V, 1-5V, various voltage output
- Vented gauge, sealed gauge, absolute pressure
- A wide range of pressure and electrical connections



## Descriptions

SS205 series piezoresistive pressure sensors are the premium products of the SENDO OEM-line, it is a very classic sensor used in air, water, oil and other media compatible with stainless steel 316L, smart size, beautiful appearance, light weight only about 80g, all these make the SS205 series suitable to the applications with limited space and weight.

SS205 series are designed with all stainless steel structure, no O-ring is used for sealing inside, a high performance piezoresistive pressure transducer is assembled in the housing, giving excellent long-term stability. The flexible pressure sensor programme covers absolute, sealed gauge and vented gauge versions, measuring ranges from 0- 15psi to 3000psi and a wide range of pressure and electrical connections.

Typical applications: Industrial control and automation, air compressors: monitor the compressor performance, HVAC/R: monitor system performance for proper environmental control.

## Parameters

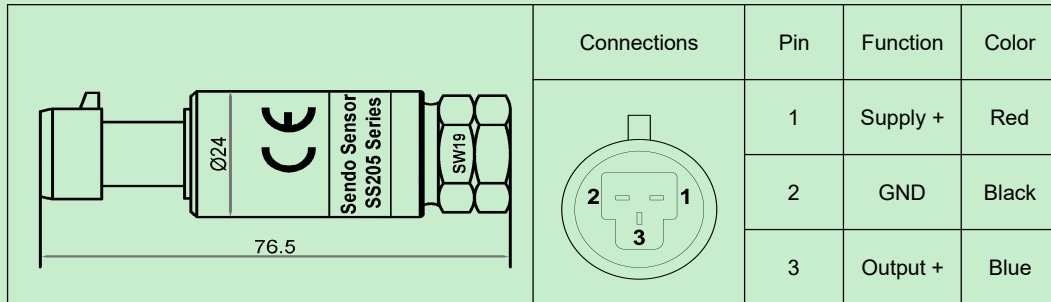
Supply voltage	5VDC	9~30VDC is on request
Output signal	0.5~4.5V	0.5~5V, 1~5V is on request
Measuring range	0...15psi to 3000psi	
Proof pressure	2.0*F.S.	
Accuracy	1%F.S. @25°C	
	3%F.S. @-20~105°C	
Operating temp	-40~105°C	

## Mechanical configurations

Pressure connection	7/16-20UNF(Female)
Electrical connection	3way round Packard
Sealing rating	IP65
Housing	Stainless steel 304
Diaphragm	Stainless steel 316L

# SS205 series low cost pressure transmitters

## Drawings & electrical connections



## Ordering information

EXAMPLE: **SS205 F 01 A 01 A 01**

1	Pressure range	<b>F</b>
	A 15psi B 30psi C 50psi D 75psi E 100psi F 150psi G 7bar H 10bar I 16bar J 25bar K 40bar L 60bar M 100bar N Other range is on request	
2	Pressure type	<b>01</b>
	01 Gauge 02 Absolute	
3	Electrical connection	<b>A</b>
	A 3way round Packard	
4	Pressure connection	<b>01</b>
	01(7/16-20UNF(Female)) 02(Other pressure connection is on request)	
5	Signal & supply	<b>A</b>
	A 0.5~4.5V(5VDC) B 0.5~4.5V(9~30VDC) C 0.2~4.5V(5VDC) D 0.2~4.5V(9~30VDC) E 1~5V(9~30VDC) F Other output signal is on request	
6	Mating cable(Pig tail)	<b>01</b>
	01 None 02 1m 03 2m 04 3m 05 4m 06 5m 07 Other length is on request	

## Contact us

Company	Ninghai sendo sensor co., Ltd	
Email	sales@sendo-sensor.com	
Email	cain.chen@sendo-sensor.com	
Address	Floor 5, building 2, no.48 jiujuan road, jianggan district, 310000 Hangzhou, China	
Website	http://www.pressuresensorsuppliers.com	http://www.sendo-sensor.com
Skype: sendosensor	We Chat: chenjie4884	WhatsApp: +8613616574884
Tel: 0086-0574-27725960	Fax: 0086-0574-27725970	Phone: 0086-13616574884

\*Specifications subject to change without notice, the latest date sheet please contact: sales@sendo-sensor.com